




CH570 & CH670 Sugar Cane Harvester Advanced Operation 

Quick Reference Guide

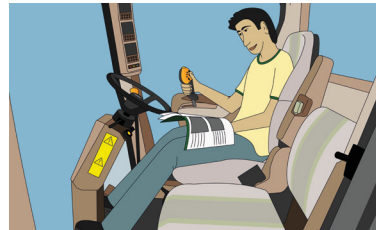
Code: CXT12936 - FS
Quick Reference Guide



1 - SAFETY

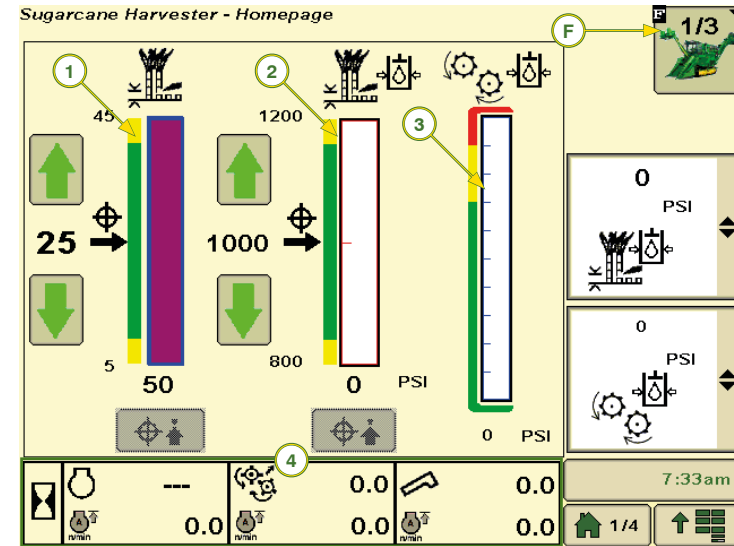
1.1 - Operator's Manual

** This Quick Reference Guide does not replace that the user reads and understands the guidelines contained in the Operator's Manual. The images provided are for illustration only. Carefully read and follow all the instructions described in the Operator's Manual. If you have questions concerning equipment use, please contact your local John Deere Dealer.*



Before operating or servicing the harvester, and for information concerning Safety, please carefully read the SAFETY SECTION in the Operator's Manual.

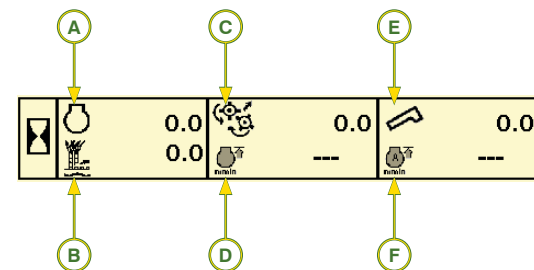
2 - HOME PAGE



- 1 - Base Cutter Height
 - 2 - Base Cutter Pressure
 - 3 - Chopper Pressure
 - 4 - Lower Region Information
 - F - Sugar Main
- Select icon (F) to return to Sugar cane Main screen and cycle through Sugar cane Main pages.

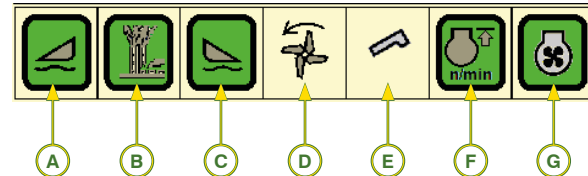
2.1 - Lower Region Information

With the start switch on and the engine off, the lower area will show:



- A - Engine Hours
 - B - Contour Base Cutter Height Control Hours
 - C - Harvesting Hours
 - D - FieldCruise™ Hours
 - E - Elevator Hours
 - F - Automatic FieldCruise™ Hour
- Note: Lower row of lower region can be configured.

With the engine running:

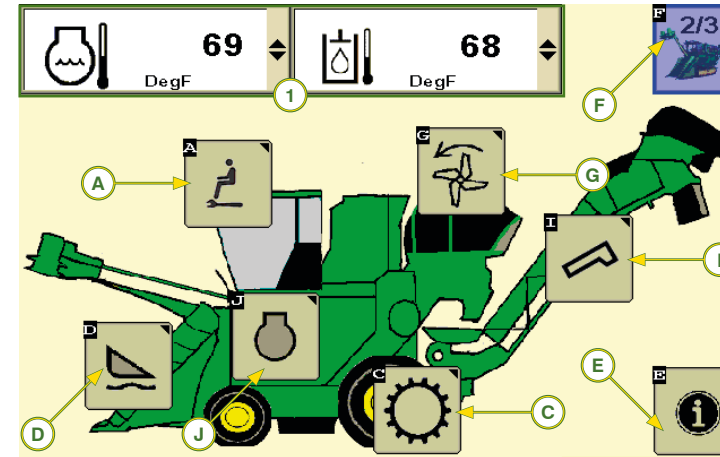


- A - LH Floating Row Crop Divider
 - B - Contour Base Cutter Height Control
 - C - RH Floating Row Crop Divider
 - D - Primary Extractor
 - E - Elevator
 - F - Automatic FieldCruise™
 - G - Cooling Fan
- The icon backlight color will change according to the operation:
- Green: On
 - Yellow: Reverse/ Return to Cut or End of Row function active
 - Yellow (Blinking): Pause State
 - Red (Blinking): Swing in progress (Elevator)

Note: With engine running, operator can touch information region to toggle between information bars.

2.2 - Display Navigation

Select icon (F) until main page 2 of 3 be shown.



1 - Machine Information: Shows detailed machine information. Allows operator to configure screen and the ability to monitor two items at once.

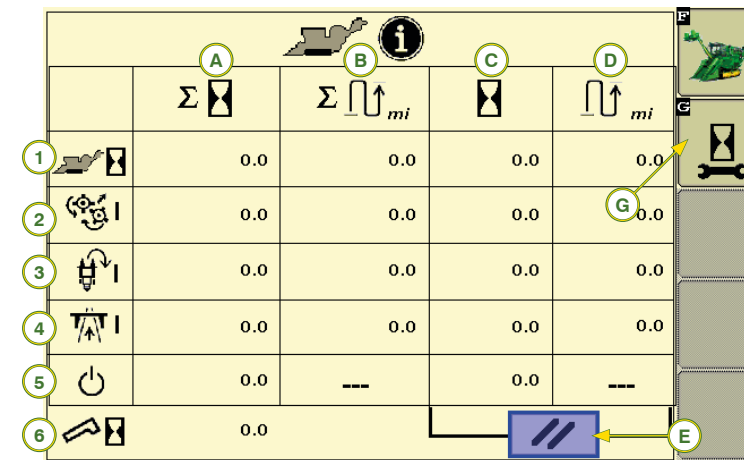
Navigation Icons:

- A - Alarm and Operator Controls Setup
- C - Drivetrain Control Setup
- D - Floating Crop Dividers and Contour Base Cutter Height Control Setup
- E - Harvester Activity Monitor
- G - Extractor Fan Setup
- I - Elevator Setup
- J - Engine Setup

3 - HARVESTER ACTIVITY MONITOR

The activity display is the harvester's hours and distance travelled log. To go to the activity screen, follow the steps below:

- Select the icon F until main page 2 of 3 be shown.
- On the main page 2 of 3, select icon E to access harvester activity screen.



On this screen you will see the hour (A), distance travelled (B) logs, and since the last reset these are:

- 1 - Harvester (Engine On)
- 2 - Harvesting
- 3 - Headland Turn
- 4 - Road Travel
- 5 - Standby
- 6 - Elevator

The log (C and D) can be reset by pressing and holding icon (E) for 2 seconds.

The icon (G) opens the status bar (banner bar) to select what information the operator wants to be displayed.

The harvester activity log can be saved on a USB flash drive that is connected to the USB port (1). Data is saved in a .csv file that can be opened in a spreadsheet in your computer.



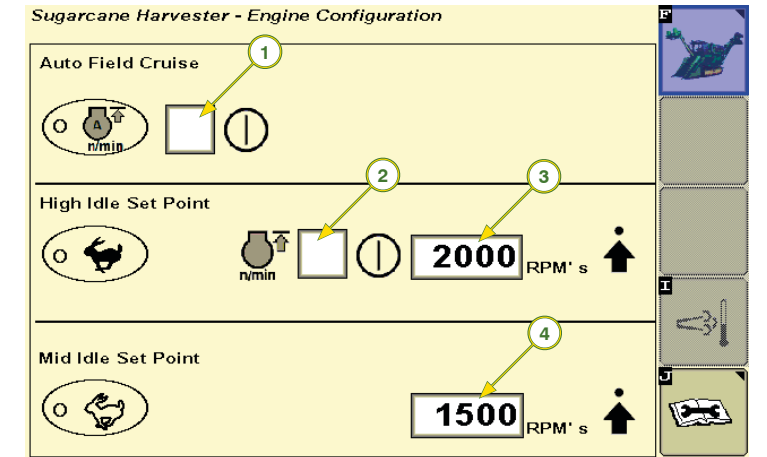
4 - AUTOMATIC FieldCruise™

The Automatic FieldCruise™ is an engine speed control system that aims at reducing fuel consumption in the sugar cane harvester. When the system is on, it keeps the engine speed at 2000 rpm until the harvester requires more load, then automatically increasing to 2210 rpm.

4.1 - Turning ON/OFF

To turn the Automatic FieldCruise™ on or off, please follow the steps below:

- On the main page 2 of 3, select J icon to access engine setup screen.
- Touch the checkbox (1) to turn the Automatic FieldCruise™ system on or off.

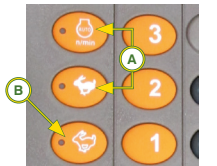


If the engine is continuously running up to 90% of the load, turn on the FieldCruise™ by touching the checkbox (2). The system allows the operator to set the speed (3) between 1900 rpm and 2200 rpm by pressing (3) and adjust by touching the + or - that will appear.

The intermediate speed (4) may be set from 1500 rpm to 1800 rpm by pressing (4), and adjust by touching the + or - that will appear as required.

Note: If checkboxes (1 and 2) are both checked, operator can toggle between Automatic FieldCruise™ and Manual FieldCruise™ using engine speed switches (A).

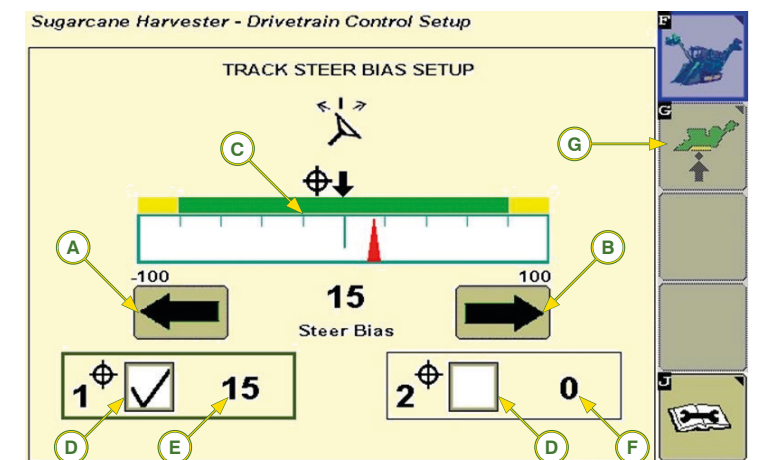
When driving the harvester on the field, press engine throttle key (B) to select the engine intermediate speed.



5 - TRACK STEER BIAS SETUP (Track Machines Only)

Set steer bias if you notice detouring while harvesting.

To access the setting page, press icon C on main page 2 of 3.



Select icons (A) and (B) to adjust steer bias. The setting will be represented in the graph (C).

Select boxes (D) to enable track steer bias. Steer bias set points (E) and (F) is displayed.

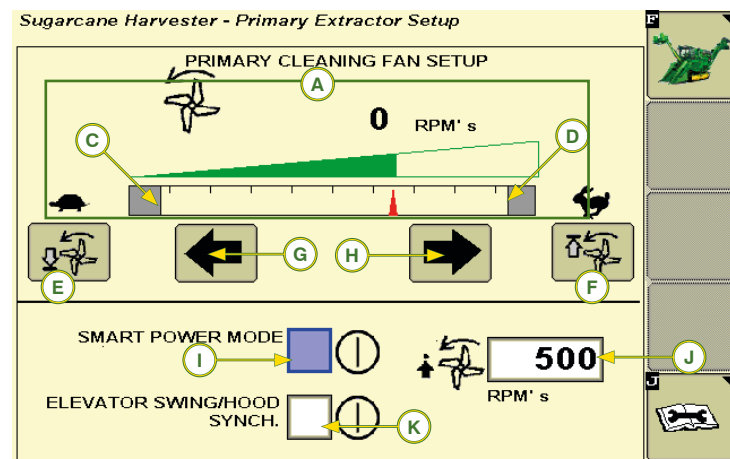
Select icon (G) to access maximum harvester speed setup.

Note: Track steer bias may also be adjusted by propulsion encoder (H) on armrest.

- A - Adjust Left Steer Bias
- B - Adjust Right Steer Bias
- C - Steer Bias Graph
- D - Checkbox
- E - Steer Bias Set Point 1
- F - Steer Bias Set Point 2
- G - Maximum Harvester Speed Setup

6 - PRIMARY EXTRACTOR SETTINGS

Open the primary extractor setting screen by pressing G icon on main page 2 of 3.



Primary extractor fan speed is maintained regardless of engine rpm or hydraulic oil temperature when set within normal operating range (600 - 900 rpm). The speed will be shown in graph (A).

Select icons (G) and (H) to reduce and increase the primary extractor fan speed.

Select icon (E) to either reduce or increase the minimum threshold (C) for the extractor fan speed.

Select icon (F) to either reduce or increase the maximum threshold (D) for the extractor fan speed.

The checkbox (I) enables and disables the Smart Power Mode, which automatically reduces the primary extractor speed while the elevator is off, thus providing increased fuel economy.

Select checkbox (J) to set the Smart Power Mode speed.

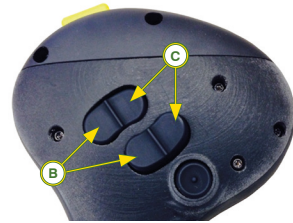
Select the checkbox (K) to either enable or disable the synchronization of the elevator and primary extractor hood rotation.

7 - FLOATING CROP DIVIDERS (If Equipped)

7.1 - Turning ON

With the harvester stopped at the beginning of the row:

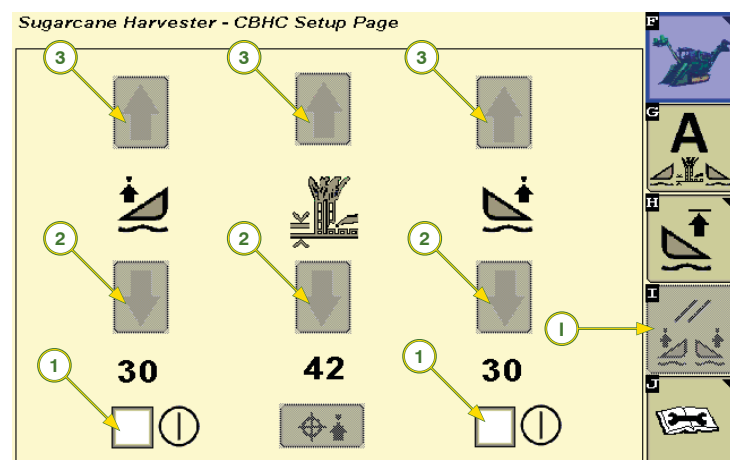
- Press switch (A);
- Boxes (1), on the display, should be checked;
- Engage the base cutter;
- Press LH or RH crop divider down switch (B) once (single-click) to activate both floating crop dividers.
- Adjust the row crop dividers support on the ground so as they follow the ground contour. Press icon (2) to get the divider closer to the ground and switch (3) to back it away. See the information below:
- A fully Floating Weight divider will be heavier and will dig into the ground too much.
- A fully raised divider will lose cane and/or make feeding difficult.



7.2 - Turning OFF

Press raise switch (C) twice (double click) to engage the row end function and turn off the floating row crop dividers.

Note: To return to the default settings, as defined by the operator, press the reset icon for the floating row crop dividers (I) on the screen.



8 - CONTOUR BASE CUTTER HEIGHT CONTROL (If Equipped)

Contour Base Cutter Height Control automatically adjusts the base cutting height using as reference the height of the row dividers, which are floating.

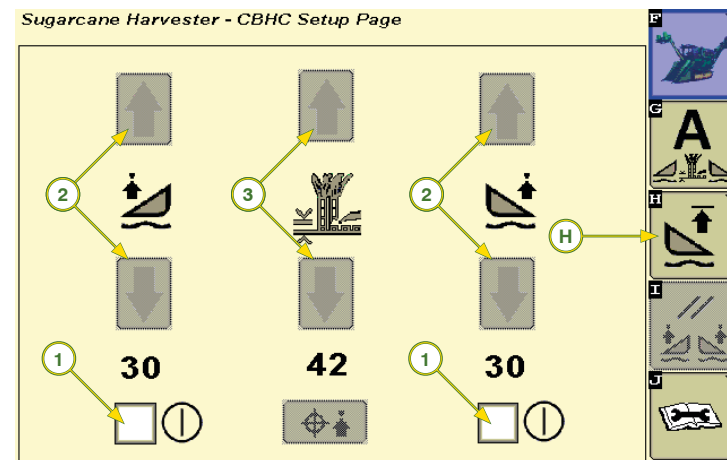
8.1 - Contour Base Cutter Height Control Adjustment (If Equipped)

To adjust the system properly, follow the steps below:

- 1 - Check whether the basecutter height sensor is working correctly;
 - Raise the machine and check if the base cutting height is close to 100 (view on the corner post display);
 - Lower the machine and check if the base cutting height is close to 0 (zero);
 - If values 100 and 0 (zero) are not found, contact your local John Deere Dealer.



- 2 - Turn on the row crop dividers floatation by pressing switch (A);
- 3 - Turn on the base cutting height floatation by pressing switch (B);
- 4 - Lower the LH and RH row crop dividers (end of travel);
- 5 - On main page 2 of 3, press icon D to access Floating Row Dividers and Contour Base Cutter Height Control screen.



- 6 - Select the boxes (1) to turn on the LH and RH floating row crop dividers, the arrows (2) of the crop dividers should be green/activated;

Note: If the arrows (2) are gray, contact your local John Deere Dealer.

- 7 - Set the basecutter target height by using arrows (3) until the desired work height is reached.
- 8 - Use the arrows (2) to adjust the row crop dividers to the ground following the information below:

- Too much contact to the ground with the crop divider may cause the crop divider shoe to dig into the ground.

- If the crop dividers are not too high from the ground, cane lose or Basecutter Height Control operations could be affected.

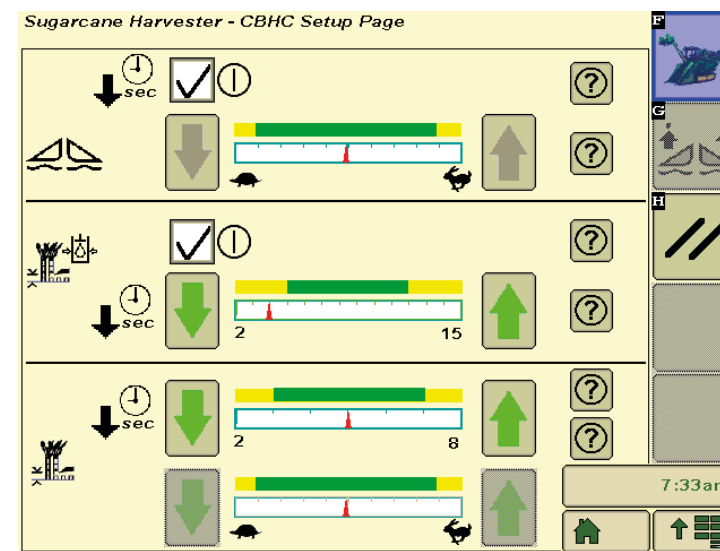
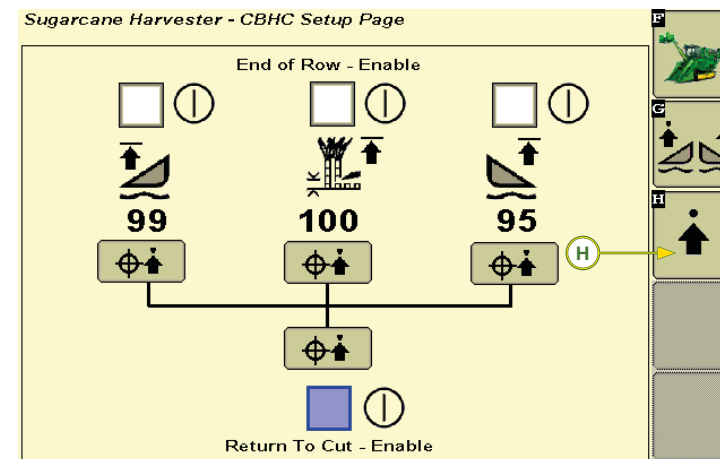
- 9 - Start harvesting and check the following points:

- **Crop dividers facing the ground:**
 - If the dividers have little contact with the ground and/or cane is being lost, adjust them through the down arrows (2) to a point where the crop dividers move as little soil as possible and prevent down cane from passing under the crop divider shoe.
 - If the crop dividers are plowing the ground, use the up arrows (2) to reduce the soil contact.

- **Base Cutter Height:** if the target height that was set is causing damages to cane stubble, stool, or shoots, use the basecutter arrows (3) to set the target height that best meets the job needs.

- 10 - Setting the system sensitivity
 - To go to the sensitivity setting screen, press icon (H) on the Base Cutter Height Control setting screen and the Row End setting screen will show.

- 11 - On the end of row setting screen press icon (H) to open the Sensitivity Adjustment screen.



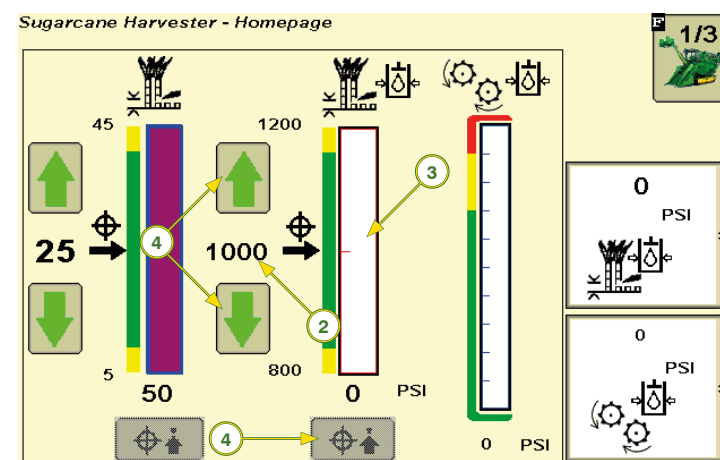
On this screen, the operator may adjust the Base Cutter Height Control sensitivity, which is the speed in which the crop dividers and base cutter will respond.

In normal jobs, work with the sensitivity adjustments in intermediate positions, and in areas with a lot of cane line height variation, increase the sensitivity to get a better response from the basecutter Height Control system.

9 - BASE CUTTER PRESSURE

The base cutter pressure will automatically set the base cutting height when the pressure is too high.

The system will return automatically to the base cutting height when the base cutter pressure lowers.



During manual cut, press the icon that captures the setpoint (1) on the desired cutting pressure (2).

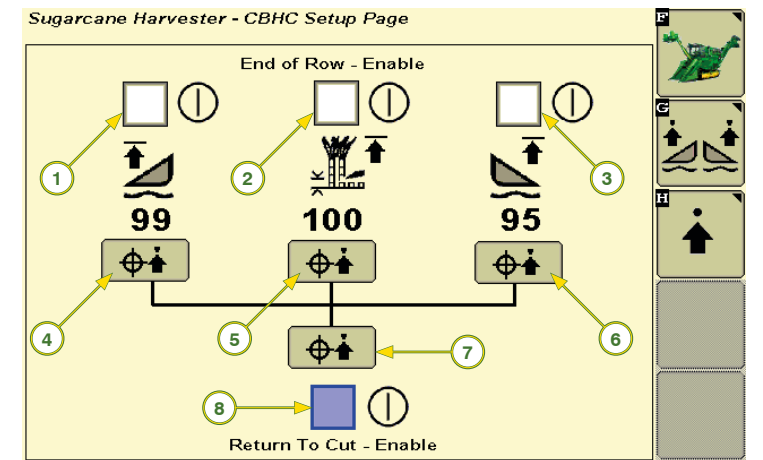
To set the base cutting pressure interval, press icon (3) to open the window with the setting icons.

Press icon (4) to increase or reduce the pressure manually.

10 - START AND END OF ROW SETTINGS

On this screen, the operator may set the start and end of the row for the base cutter and floating row crop dividers. To open it, follow the steps:

- On main page 2 of 3, press the D icon to open Floating Crop Dividers and Contour Base Cutter Height Control settings screen.
- Press icon H to open the Row Crop End setting screen.



- 1 - LH Crop Divider End of Row Enable Box
- 2 - Base Cutter End of Row Enable Box
- 3 - RH Crop Divider End of Row Enable Box
- 4 - LH Crop Divider Row End Save Icon
- 5 - Floating Base Cutter Row End Set point Capture Icon
- 6 - RH Crop Divider Row End Capture Icon
- 7 - End of Row Set Point Capture All Icon
- 8 - Contour Base Cutter Return to Cut Enable

10.1 - Row End and Start Height Configuration

- Press switch (A) to turn on the row crop dividers floatation mode;

- Boxes (1), (2), and (3) on the screen should be checked. If they are not, touch on the box.

- Set the height of the row crop dividers and basecutters, as required, by pressing switches:

- B - LH Row Crop Divider
- C - RH Row Crop Divider
- D - Base Cutter



- Press icon (7) or icons (4), (5), and (6) to save the set points.
- Press base cutter up switch (D) twice (double-click) to deactivate system and activate end of row function.



11 - SCREEN BRIGHTNESS

On the Display Settings screen, select decrease icon (A) or increase icon (B) to select brightness level of screen.

Select day/night icon (C) to toggle between day or night settings.

The icon (D) accesses advanced backlighting settings, where allows operator to synchronize screen with cab lighting or screen work independently from lighting.

